



# 864 ST Blower Installation Instructions

# 99000161

## Packing List:

- Rheostat Assembly (with wiring harness)
- Blower Assembly
- Snap Disc
- (2) # 8 x 3/8" Black Screws (for Rheostat Assembly)

## Installation



Make sure power to the fireplace has been turned off prior to installation (disable the service breaker).

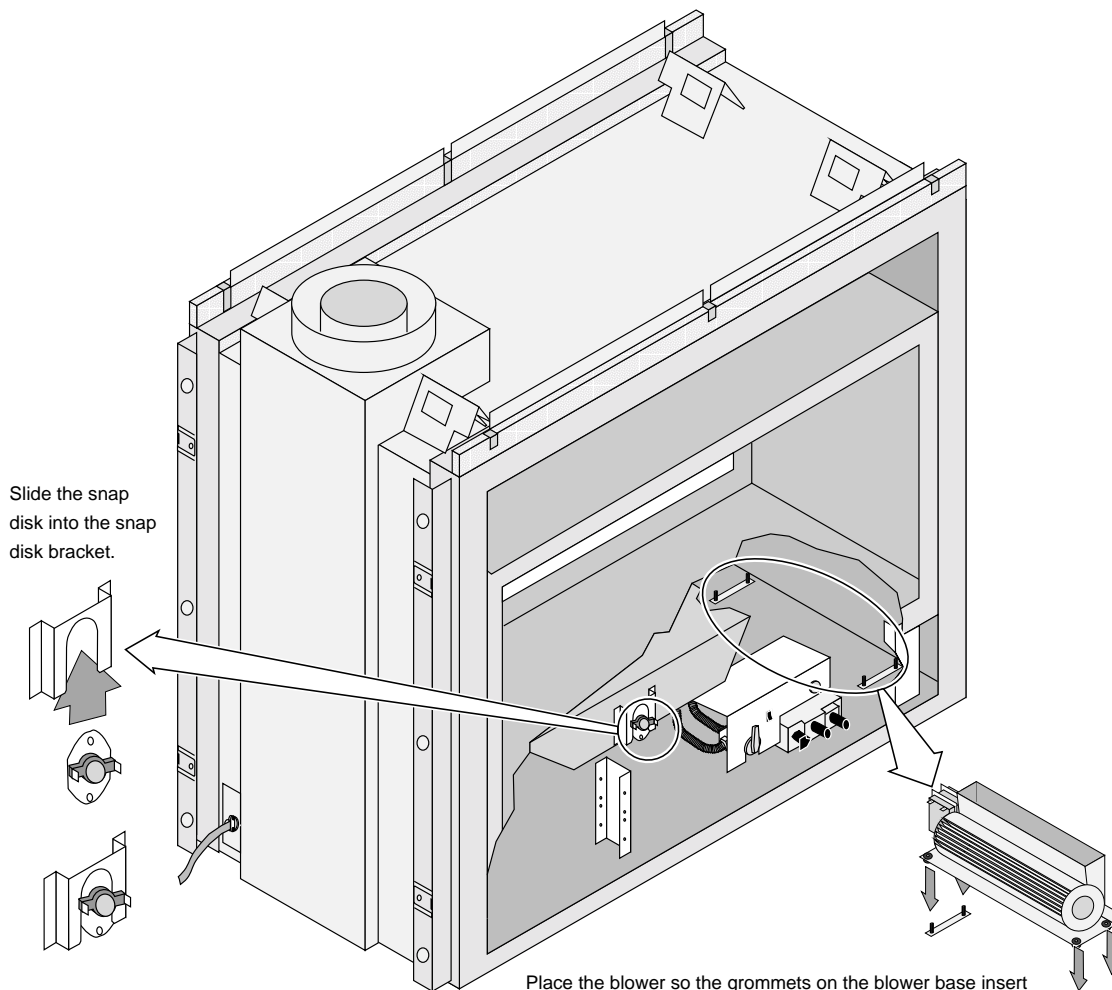


Do not connect 110-120 VAC to the gas control valve or wiring system of this fireplace.



It is easier to install the blower prior to connecting the gas line.

1. Install the snap disk and blower following the directions below.



Slide the snap disk into the snap disk bracket.

Place the blower so the grommets on the blower base insert over the four studs on the base of the fireplace. Make sure all four grommets are properly located (this helps prevent vibrations).

NOTE: The blower is held in place by gravity. If transporting the fireplace after installing the blower, make sure it is properly located.

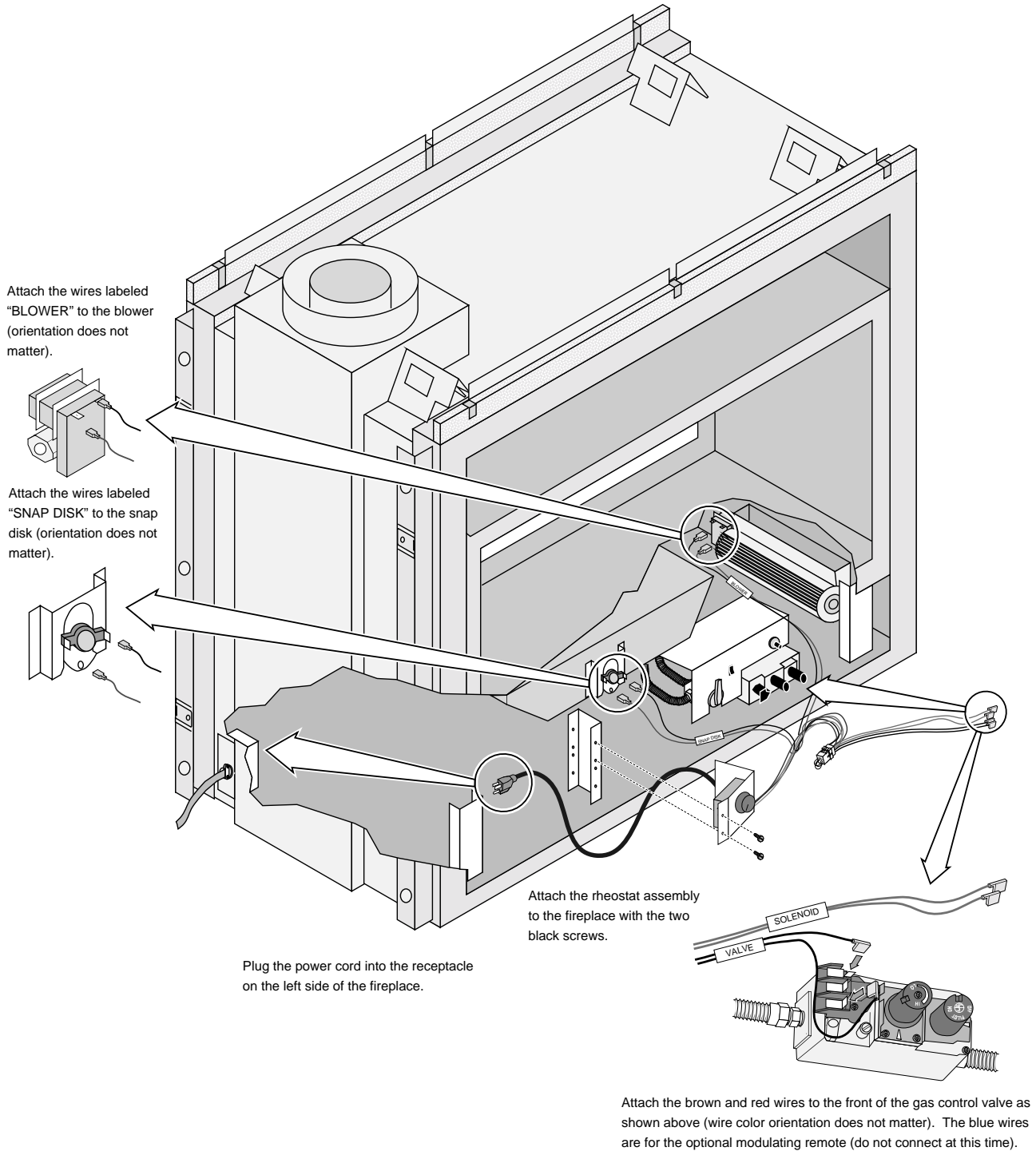


# 864 ST Blower Installation Instructions

# 99000161

2. Attach the wiring and rheostat assembly following the directions below.

**NOTE:** Make sure wiring does not contact blower impellers or any hot surfaces. Use lock-ties if necessary.



3. Turn on power to the fireplace.

**NOTE:** To test the blower without turning on the fireplace, use a jumper wire to connect the two snap disc wires together (turn off power prior to connecting the jumper wire).